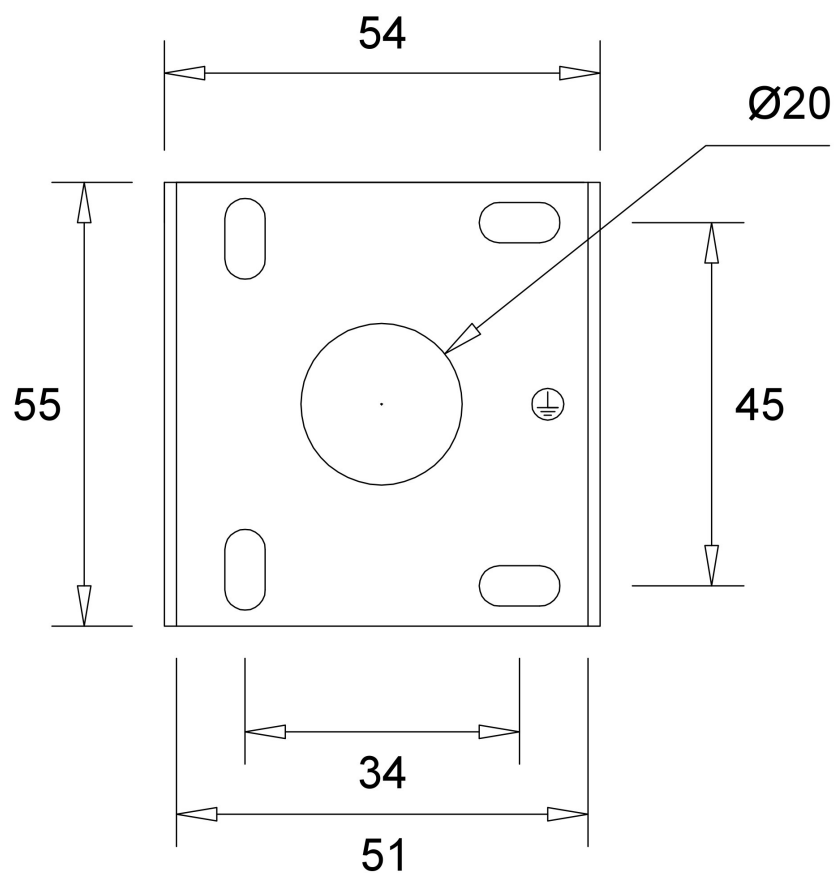


PACHED



DAVIDTS LIGHTING sprl

Chaussée de Waterloo, 850-854 - B-1180 Brussels - Belgium
T +32.2.375.76.46 - F +32.2.375.82.65
info@davidts.com - www.davidts.com