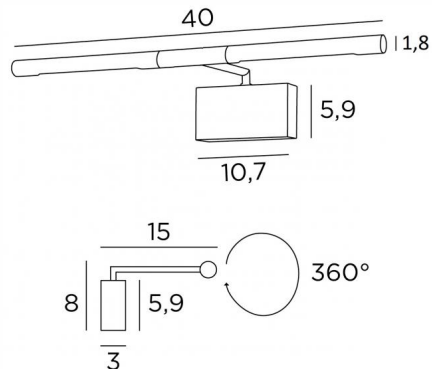




## MEROE 40



MEROE 40 in brushed bronze



Simple, discreet and effective picture lighting. The two reflectors can be rotated to 360°. Delivered with two warm light LED bulbs. This model is available in 3 different sizes

### OVERALL SIZES

H8cm L40cm |→15cm

### BASE

10,7 x 5,9 x 3cm

### TECHNICAL DATA

Two G4 fittings


Transformer 240V-12V compatible with LED bulbs


Picture lamp delivered with two LED bulbs :

- 2x 2,5 W
- 2x 320 lm
- anti UV - 2700°K

The reflectors are adjustable through 360°

### AVAILABLE METAL FINISHES AND CODES

 20 - Polished  
- 1864 020  
brass

 29 - Brushed bronze - 1864 029

 33 - Brushed nickel - 1864 033

