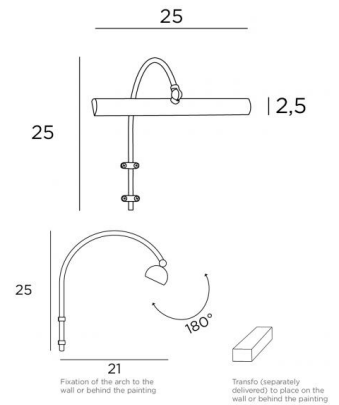




TRIANON 25



TRIANON 25 in brushed nickel



Beautiful and elegant picture lamp. Its classic look will highlight your work of art. A transformer, which is placed behind the painting, two LED lamps that are included with this lamp. Warm light. The reflector is adjustable through 180°. This model is available in 4 sizes

OVERALL SIZES

H25cm L25cm |→21cm

BASE

Two wall attachments

TECHNICAL DATA

Two G4 fittings

Wall lamp delivered with two LED-bulbs :

- 2x 2,5 W
- 2x 320 lm
- anti UV - 2700°K

The reflector is adjustable through 180°

The 240-12V transformer is supplied separately and should be placed at the back of the painting

AVAILABLE METAL FINISHES AND CODES



25 - Brushed brass - 1882 025



29 - Brushed bronze - 1882 029



33 - Brushed nickel - 1882 033

